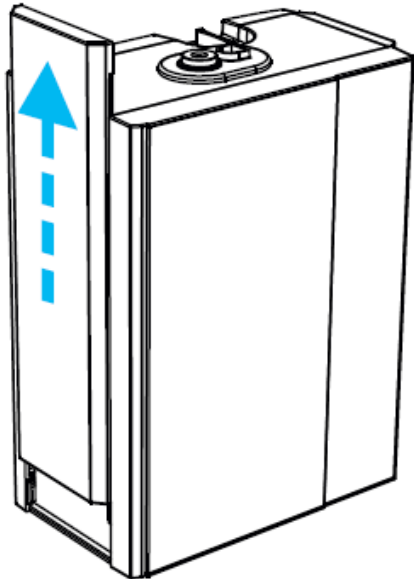


Chanson Miracle Max Royale 7 Plate Under Countertop Alkaline Water Ionizers

Citric Acid Cleaning Instructions

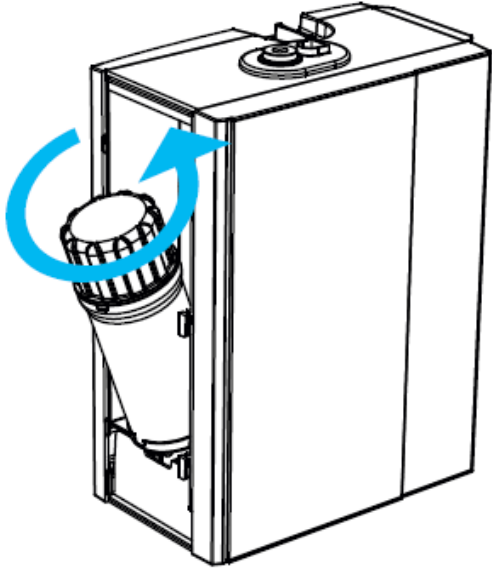
1 – Locate **Filter Compartment Door** on left side of your Chanson Alkaline Water Ionizer.

2 – Gently slide Filter Compartment Door **upwards with one hand while holding ionizer with other hand** so as to gain access to the Filter Assembly area inside Filter Compartment.

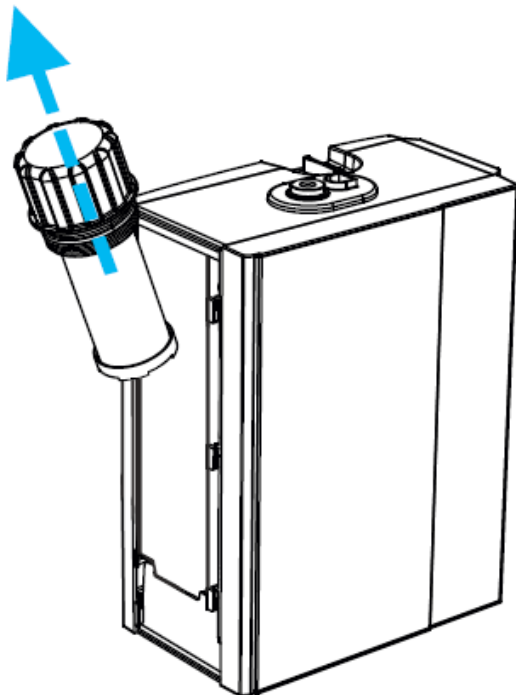


3 – Reach in to Filter Compartment and **slightly pull Filter Assembly outwards, being careful not to extend it beyond its range of motion.**

4 – Rotate Chanson PJ7000 Replacement Filter counter-clockwise to unlock it from Filter Assembly.



5 – Pull the existing Chanson PJ7000 Replacement Filter **upwards** from Filter Assembly.



6 – Using the Chanson Alkaline Water Ionizers Citric Acid C-Clean Kit:

- a) Place a C-Clean Kit Filter Pad on the C-Clean Cartridge Bottom Section;
- b) Fill the C-Clean Cartridge Bottom Section with supplied Chanson Citric Acid Powder to the '**Fill to Here**' line;
- c) Screw the C-Clean Cartridge Cap to the C-Clean Cartridge Bottom Section;
- d) Screw the C-Clean Cartridge to the Ionizer Filter Assembly where the Chanson PJ7000 Replacement Filter was removed from.

7 – Activate Chanson Alkaline Water Ionizer cleaning process by selecting 'Service Clean**' setting from Ionizer Menu. This process should take about 35 minutes to complete.**

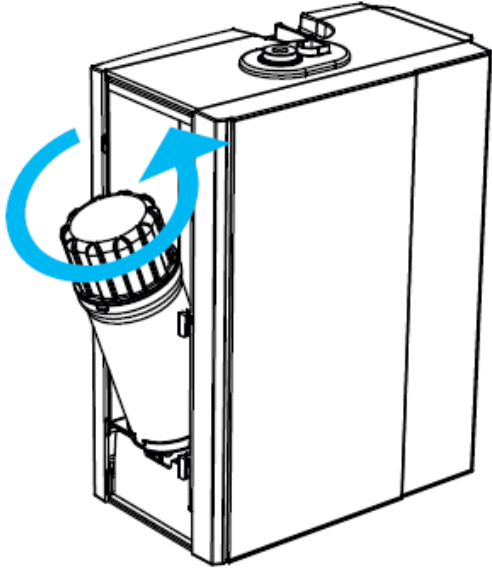
8 – Once Service Clean is complete, flush your Chanson Alkaline Water Ionizer by selecting **Purified Water setting and leaving on for 5 minutes.**

9 – Test pH of your Chanson Alkaline Water Ionizer on **Standard Alkaline setting and compare to your previous pH testing results. If desired improvement is not seen, repeat procedure up to 3 times. If you have gone for long periods without a flush and you know you have very hard water and the flush procedure is not working, you may need to send your Chanson Alkaline Water Ionizer to our Chanson Canada Vancouver Service Center for a thorough cleaning at additional costs.**

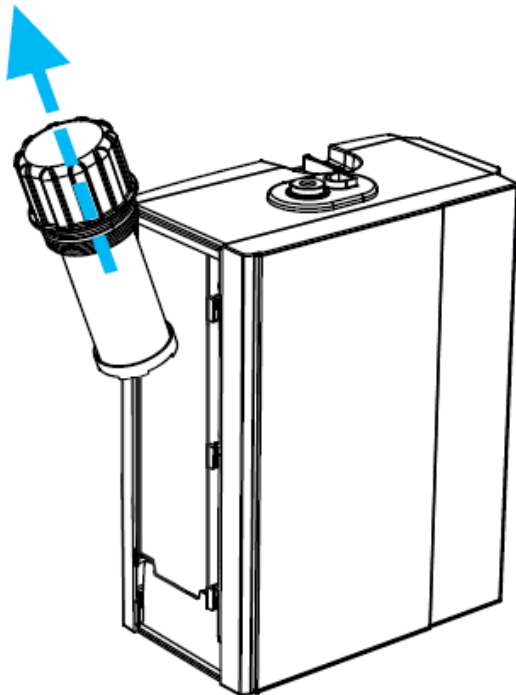
10 – If your Chanson Alkaline Water Ionizer pH Test on **Standard Alkaline setting is 'normal', then make sure water flow to ionizer is off and it is time to re-install existing filter (or Chanson Replacement Filter PJ7000 if time to do so) as per the following steps:**

- a) Reach in to Filter Compartment and **slightly pull C-Clean Cartridge outwards, being careful not to extend it beyond its range of motion.**

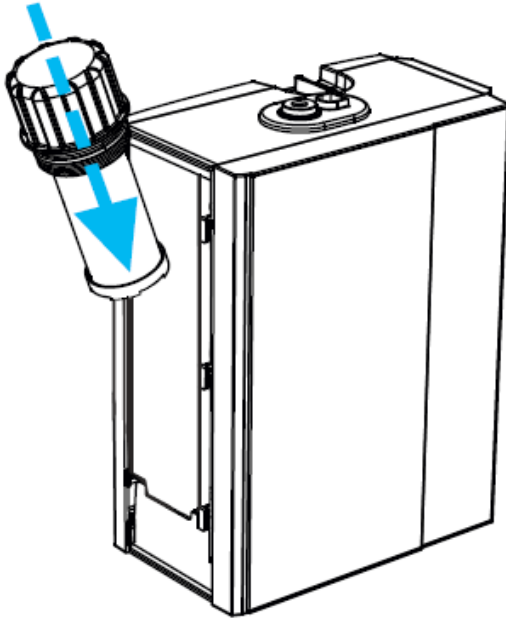
b) Remove Chanson C-Clean Cartridge from Filter Assembly by rotating it counter-clockwise.



c) Pull Chanson C-Clean Cartridge **upwards** from Filter Assembly.



d) Re-install existing filter or Chanson Replacement Filter PJ7000 if time to do so by installing it in Filter Assembly clockwise to close.



e) Turn your Chanson Alkaline Water Ionizer **ON and check for leaks in Filter Compartment.** If no leaks, gently close Filter Compartment Door inwards. If has leaks, double check to ensure Filter Assembly is installed properly and re-test for leaking.

11 – Unit is ready for regular use.